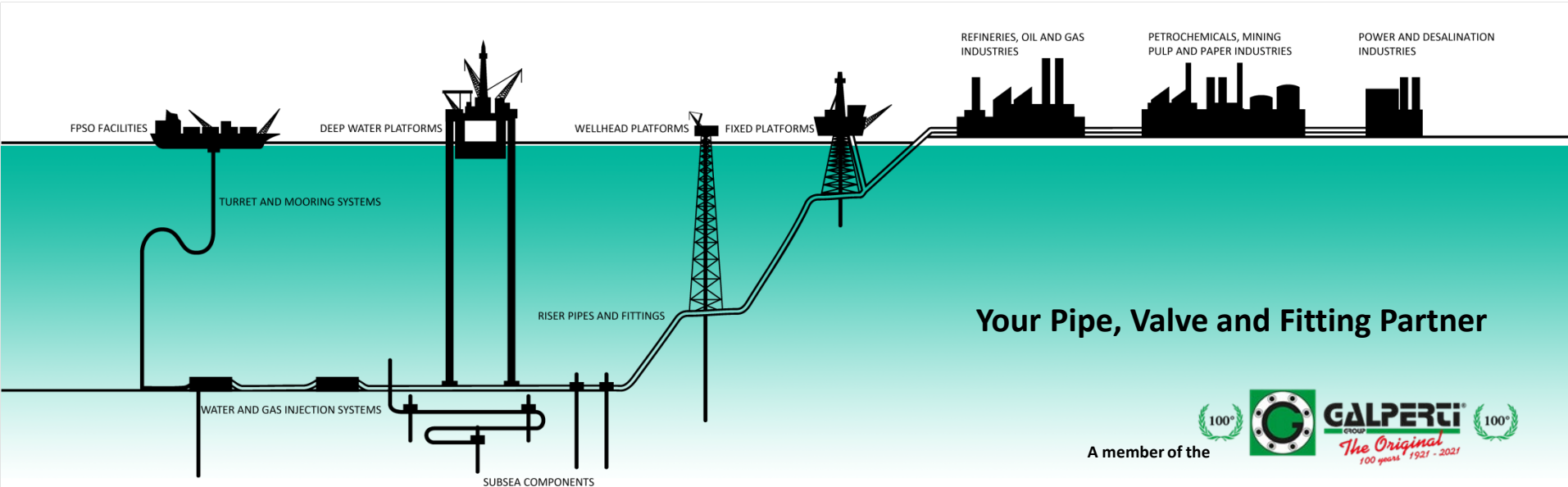


AFF

AUSTRALASIAN FITTINGS & FLANGES

COMPANY INFORMATION



Your Pipe, Valve and Fitting Partner

A member of the



GALPERTI
GROUP
The Original
100 years 1921 - 2021



ABOUT AUSTRALASIAN FITTINGS & FLANGES



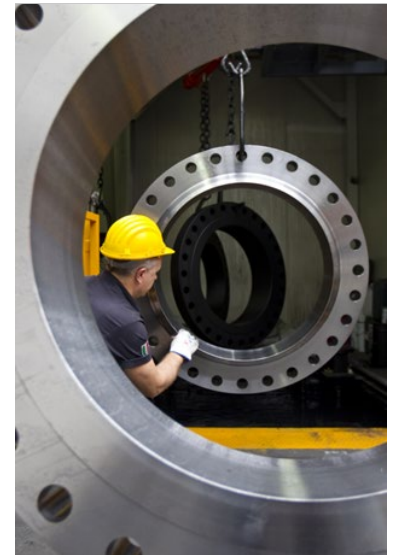
Australasian Fittings & Flanges (AFF) was founded in 2006, forming part of the Galperti Group of Companies, a leading organisation with an established manufacturing and distribution network worldwide.

Within the demanding Oil and Gas sector the name Galperti is synonymous with quality, sustainability and reliability in the supply of complete services for Pipe, Valves & Fittings (PVF) and associated products.

Our company philosophy of **“Bringing the manufacturer to the client”** has fuelled our success in presenting our clients with a comprehensive and globally competitive supply chain, providing innovative, cost-effective solutions tailored to suit our clients need. AFF’s aim is to become the supply partner of choice and in this pursuit, we make no concession to quality with our products often exceeding our client’s material standards.

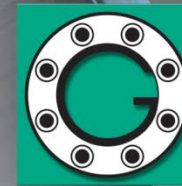
The distinctive character of AFF is underpinned by our approach to our customers’ needs. As a Pipe, Valve and Fitting Partner, AFF is increasingly / committed to becoming an integrated service provider, rather than a product supplier, providing engineering, project support, manufacturing, quality control, expediting, non-material requirements, and after sales, all supported by dedicated AFF personnel or specific departments throughout the Galperti Group.

With access to Group manufacturing and inventory located at facilities worldwide we can promptly and efficiently source stock & specialty items, 24 hours a day, 7 days a week.



AFF – Your Pipe, Valve and Fitting Partner

AFF : PRODUCT SUMMARY



AFF

AUSTRALASIAN FITTINGS & FLANGES

PIPING PRODUCTS



Pipe



Fittings



Flanges



Valves



Branch Connections



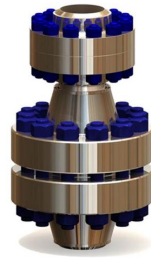
Piping Accessories



Anchor Flanges



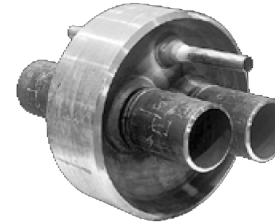
Misalignment Flanges



Compact Flanges



Swivel Ring Flanges



Bulkhead Flanges



Slewing Bearings



Manual Ball Valves



Trunnion-Mounted Ball Valves



Fully Welded Body Subsea Trunnion-Mounted Ball Valves



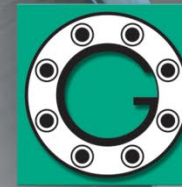
Clamp Connectors



Double Block & Bleed Valves

AFF – Your Pipe, Valve and Fitting Partner

PIPE - STANDARD



Australasian Fittings & Flanges delivers a wide range of pipes, both seamless and welded and in diameters ranging from ½" to 24" from stock. Our scope of supply includes sizes up to 100".

Seamless

Both hot and cold finish in the below sizes are stocked throughout our own or group stockholdings.

Carbon Steel

Material	Material standard	Dimensions
CS-235	ASTM A106 Gr.B	0.5" - 24"
CS-235LT	ASTM A333 Gr.6	0.5" - 24"
CS-360LT	API 5L Gr. X52	6" - 24"

Stainless Steel Grades

Material	Material standard	Dimensions
Duplex	ASTM A790 UNS S31803	0.5" - 8"
Superduplex	ASTM A790 UNS S32750/60	0.5" - 8"
6Mo	ASTM A312 UNS S31254	0.5" - 8"
SS316	ASTM A312 TP316	0.5" - 8"
High Yield Austenite	ASTM A312 UNS S34565	0.5" - 8"

Heavy Wall Seamless

Our groups manufacturing facility produces machined seamless heavy wall pipes from forged bar in lengths 6-9 meters. Pipes are extensively used in high-pressure hydrocarbon systems. Tolerances on both inside diameter and wall thickness can give optimal solutions for complex piping class design. Subject manufacturing method is very flexible with regards to dimensions and quantity ordered.

Typical range of production (larger OD's can also be manufactured):

Material	Material standard	Dimensions
Duplex	ASTM A790 UNS S31803	6" - 20"
Superduplex	ASTM A790 UNS S32750/60	6" - 20"
6Mo	ASTM A312 UNS S31254	6" - 20"
SS316	ASTM A312 TP316	6" - 20"
SS321	ASTM A312 TP321	6" - 20"
High Yield Austenite	ASTM A312 UNS S34565	6" - 20"
CS-360LT	API 5L GR. X65 etc.	6" - 20"

Welded **Plate**

Dependent on quantity, material, and thickness pipes can be manufactures from plate in the range: 3" and up.

Strip

Dependent on quantity, material, and thickness pipes can be manufactured from strip in the range: 1.5" to 24".

BUTT-WELD FITTINGS - STANDARD



Australasian Fittings & Flanges supplies seamless and welded butt-weld fittings with dimensions ranging from ½" to 20".

Our scope of supply includes sizes up to 100" according to customer specifications. Forged steel fittings are available in threaded and socket weld versions; dimensions ¼" to 4" and pressure classes 3.000 lbs, 6.000 lbs and 9.000 lbs.

Carbon Steel

Material	Material standard	Dimensions
CS-235	ASTM A234 Gr. WPB	0.5" - 20"
CS-235LT	ASTM A420 Gr. WPL6	0.5" - 20"
CS-360LT	ASTM A860 Gr. WPHY52	0.5" - 20"

Stainless Steel

Material	Material standard	Dimensions
Duplex	ASTM A790 UNS S31803	0.5" - 20"
Superduplex	ASTM A790 UNS S32750/60	0.5" - 20"
6Mo	ASTM A312 UNS S31254	0.5" - 20"
SS316	ASTM A403 WP SS316	0.5" - 20"
High Yield Austenite	ASTM B363 Gr.WPT2	0.5" - 20"

Dependent on quantity, material, and dimension butt-weld fittings can be manufactured by cold forming in the range ½" - 16" and hot formed from ½" and up.



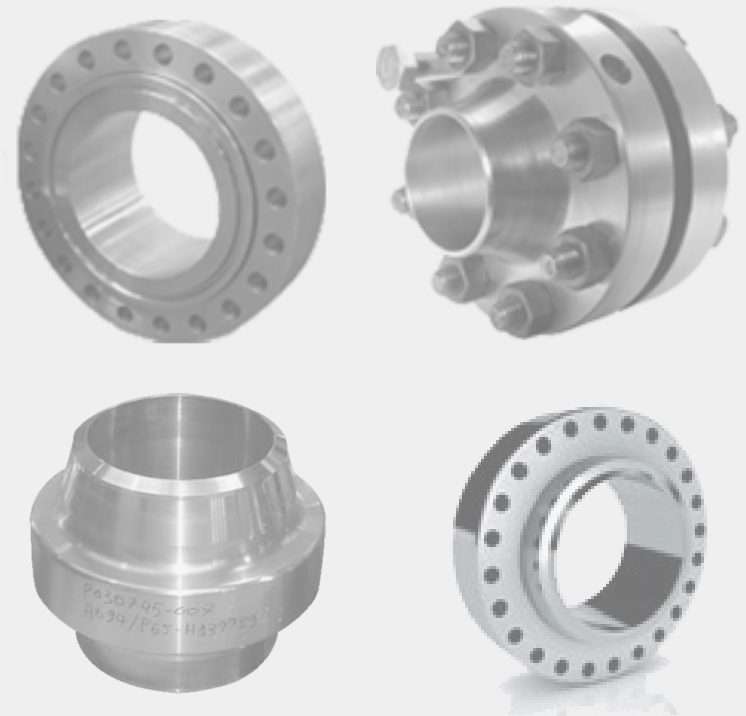
AFF – Your Pipe, Valve and Fitting Partner



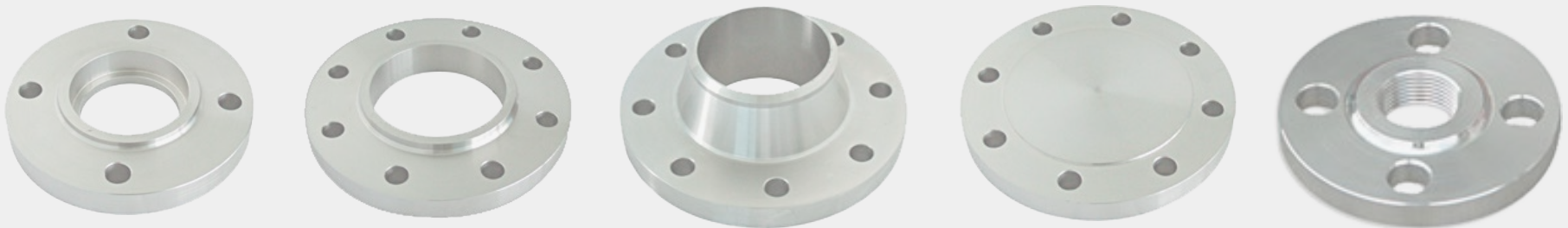
FLANGES - STANDARD

The standard flanges available from **Australasian Fittings & Flanges** is in the dimensions ½" to 48" and pressure classes ranging from 150 lbs to 2,500 lbs – PN10 to PN420 – 3.000 psi to 20.000 psi. Our range includes weld necks, long welding neck, slip-ons, blinds, threaded, socket weld, lap joint, orifice, swivel and anchor flanges with various face finish options. Flanges up to 7.5 meters can be manufactured to customer specifications.

Material	Material standard	Dimensions
Duplex	ASTM A182 F51	0.5" - 20"
Superduplex	ASTM A182 F53 / F55	0.5" - 20"
6Mo	ASTM A182 F44	0.5" - 20"
SS316	ASTM A182 F316	0.5" - 20"
High Yield Austenite	ASTM A182 F49	0.5" - 20"
CS-235	ASTM A105	0.5" - 20"
CS-235LT	ASTM A350 LF2	0.5" - 20"
CS-360LT	ASTM A694 F52	0.5" - 20"



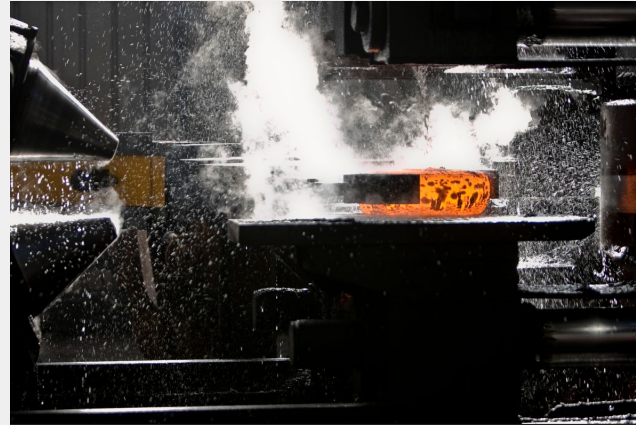
Group stock in the range and grade as noted.



Australasian Fittings & Flanges together with our groups manufacturing facility can provide an alternative Fast Track Flange manufacturing option. With this manufacturing facility we can offer you as a client an option to Forge, Heat Treat, Machining and an option of Cladding up to 80" in order to meet your fast-track requirements throughout Australasia. Responsiveness and the ability to short track your delivery request will be offered for the highest demanding needs and applications that you require.

In-house Inspection covers:-

- Automatic plant for Dye Penetrant Examination (DPI)
- Magnetic Particle Inspection (MPI)
- Positive Material Identification (PMI)
- Spectrometer (for full chemistry)
- Radioactivity Detector
- Ferritscope
- Tensile Test and Impact test
- Computerized marking / stamping machine



We are now the answer to any fast-track flange manufacturing needs, be it for a small volume fast delivery or a larger complicated project that has a delivery constraints. All raw materials (billets) are of Western European origin and are the same as listed on our groups manufacturing approved sub-supplier lists and only used throughout our Groups manufacturing facilities worldwide.

Our groups manufacturing facility located in Malaysia is also very proud to advise that they are the first Norsok approved forging facility throughout Southeast Asia

Australasian Fittings & Flanges delivers a wide range of piping accessories. Our scope of supply includes forged branch outlets, gaskets, stud bolts and nuts. In order to meet the highest quality requirements, the products primarily come from manufacturers who are highly acclaimed in the international oil and gas market. Our range includes the following:

Stud Bolts and Nuts



These are the basic elements to build any type of structure; for decades, our manufacturer has been dealing with the technological problems that are connected with the relevant manufacturing activity. Our stud bolts are suitable for the most varied needs and are made with any type of material, from the smallest (5/16" or M6) to the largest diameters (7" or M180).

UNS S32760 Stud Bolts

Australasian Fittings & Flanges stock stud bolting in UNS S32760 LT Superduplex in the size range 1/2" to 2" complete with Heavy Hex flat washer faced Nuts and can cut to length required .

Branch Outlets



Types:

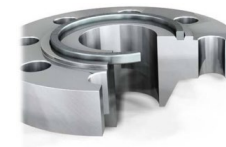
- | | |
|-------------|--------------|
| Weldolets | Weldoflanges |
| Thredolets | Nipolets |
| Sockolets | Sweepolets |
| Nipoflanges | Larolets |

Gaskets

Flat Graphite Gasket



BX Gasket



IX Gasket
(Compact Flange)



Spiral Wound Gasket



RX Gasket



Australasian Fittings & Flanges delivers a wide range of piping accessories. Our scope of supply includes Spectacle Blinds, Spade & Spacers, Drip Rings, Flushing Rings, Bleed Rings plus Injection Quills. In order to meet the highest quality requirements, the products primarily come from manufacturers who are highly acclaimed in the international oil and gas market. Our range includes the following:

Spectacle Blinds, Spade & Spacers



Spectacle Blind

Figure 8 or Spectacle Blind may have a different type of joint face (RF - Raised Face, FF - Flat Face, RTJ - Ring Joint), depending the type of flange.

Ring Spacer

Ring Spacer (Spacer) is made from a metal ring in different type of material, with a welded handle. The spacer function is to allow the passage of fluid (or gas) in the line.

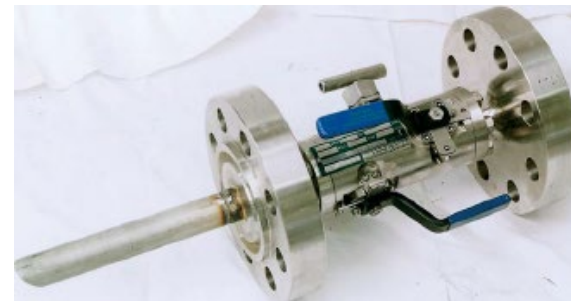
Paddle Blind

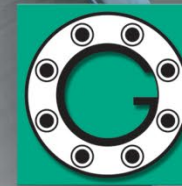
The Paddle Blind (Spade, Line Blind) s made from a round piece of different type of material, with a handle furnished in a different form, according to the dimensional standard.

Drip Rings or Flushing Rings or Bleed Rings



Injection Quills

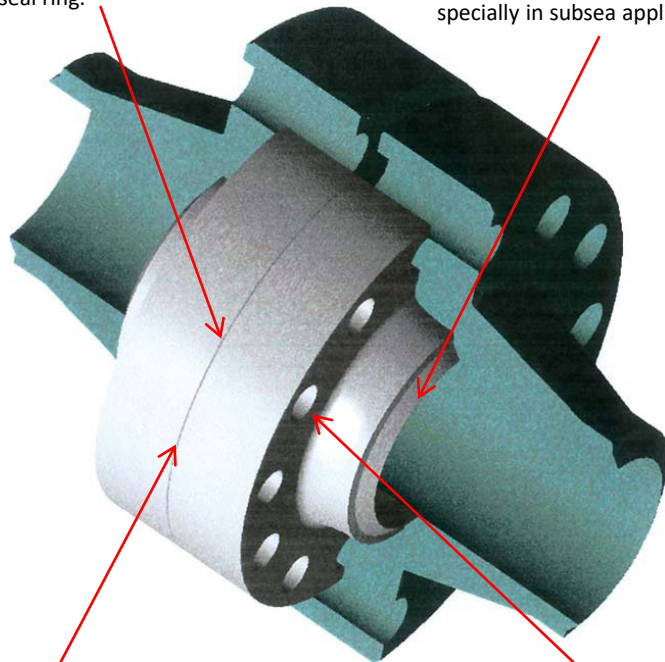




Drawing showing standard ANSI Flange and a Compact Flange comparison

Unique sealing system using self energized seal ring.

Swivel ring option available to ease lining up and assembly specially in subsea applications.



Full face metal contact eliminates external corrosion.

Smaller, shorter, lighter bolting. No need of special bolting allowed use of standard hydraulic bolt tensioner.

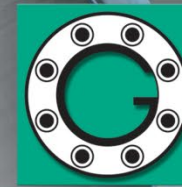
Australasian Fittings & Flanges is able to supply bespoke compact flanges.

The Compact Flange System offer the following advantages over standard flanges:

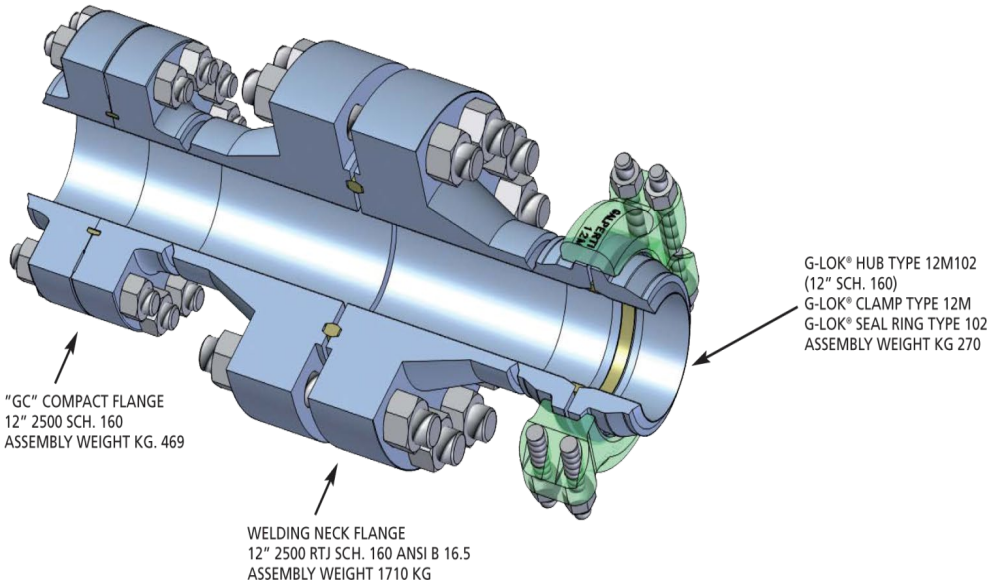
- Compact Construction
- Reduced Weight
- Full Design approval
- Cost saving
- Smooth bore offers erosion resistance
- Face to face make up offers corrosion resistance.
- Metal to metal sealing technology – re-usable
- Flexibility – seal rings, standard gasket etc.
- Ability to with stand severe operating loads

The Compact Flange System has an established record throughout the world, meeting or exceeding all current industry codes and standards.

Our facility is accredited with ISO 9001 and our products meet all current industry standards. The Compact Flange System is a fully proven alternative to the conventional flanged connection used throughout the oil, gas, petrochemical and power generation industries. Produced in a comprehensive range of sizes and materials they offer versatility, compactness, weight saving and cost effectiveness in connecting piping system.



Connectors VS ANSI Flange



The clamp connection has a significantly smaller diameter and a shorter length than that of a comparably rated ANSI or API ring joint flange connection, reducing weight and space required for make-up.

The clamp connector is especially well suited to systems that require close piping and hookup arrangements. As there are no bolt holes to align, the clamp may be rotated to conveniently locate the bolts for easy assembly and disassembly of the connections.

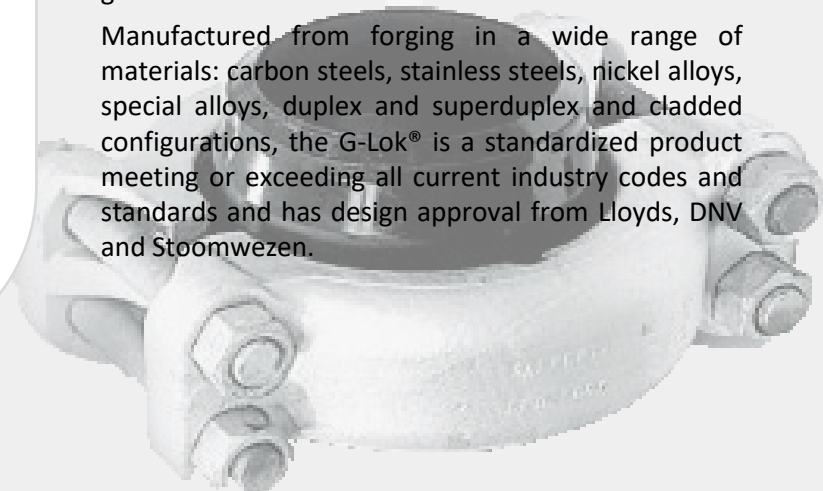
Australasian Fittings & Flanges are able to supply Connectors forged to suit your specific project requirements.

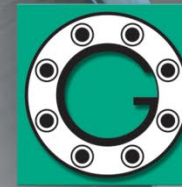
Features of the Clamp Connectors:

- Easy Assembly
- Compact Construction
- Reduced Weight
- Metal to metal sealing technology: reusable
- Flexibility
- Full Design approval

The products have an extensive installed base throughout the world. The Clamp Connector is a fully proven alternative to the conventional flanged connection used in flowlines and pipelines throughout the oil, gas, petrochemical and power generation industries.

Manufactured from forging in a wide range of materials: carbon steels, stainless steels, nickel alloys, special alloys, duplex and superduplex and clad configurations, the G-Lok® is a standardized product meeting or exceeding all current industry codes and standards and has design approval from Lloyds, DNV and Stoomwezen.





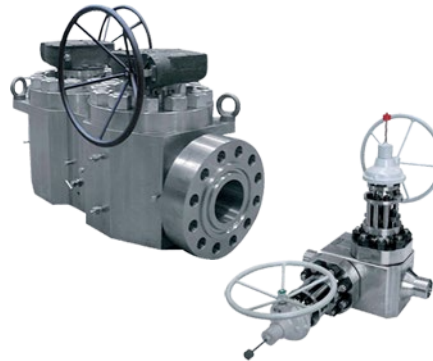
Valves can be supplied in dimensions ranging from ½” to 100” with pressure classes from 150 lbs to 2.500 lbs – PN10 to PN420 – 3.000 psi to 20.000 psi. **Australasian Fittings & Flanges** offers valve solutions for a wide range of applications, such as on and offshore oil and gas projects, subsea applications, pipelines, cryogenic applications, (petro) chemical installations and tank terminals. We can supply the right controls for each application – regardless whether it involves a large-scale project or a single valve only.

Compact Modular Valves



TF and TT Modular Top Entry Construction valves and SF – ST Side Entry valves replace conventional bulky assemblies with their numerous leak paths with valves built on a modular principle offering reduced weight and space and less potential for leaking.

Double Block & Bleed valves (API 6D – API 600)



The Double Block and Bleed valve assembly provides great savings in weight, space and installation times especially in instrument or instrument cage isolation. These savings can be as much as 60% in weight and greatest savings are seen in the reduction of leak paths to atmosphere, therefore reducing the risk of the potential hazards .

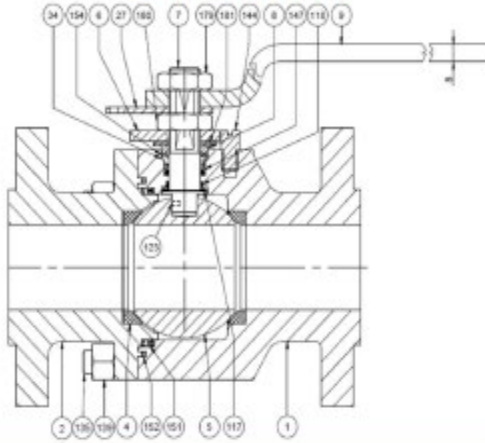
Subsea & Trunnion Mounted Ball Valves (API 6D – API 6A)



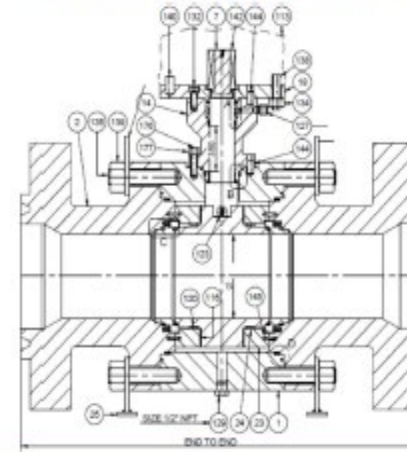
Subsea Valves are commonly used to transport oil and gas oil, they are designed to function in a sub-marine environment, withstanding the effects of raised external pressure, salt-water corrosion, and bubbles or debris in the material carried. Subsea valves undergo stringent testing to ensure high reliability.



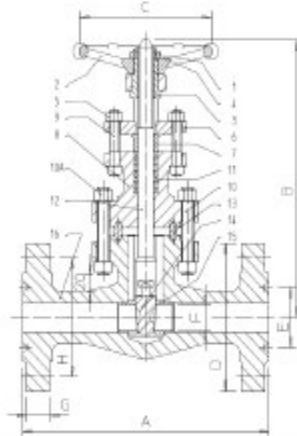
Ball - Floating



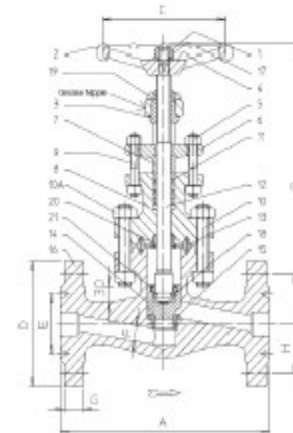
Ball - Trunnion Mounted



Gate



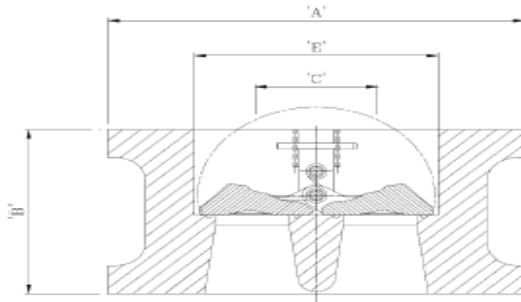
Globe



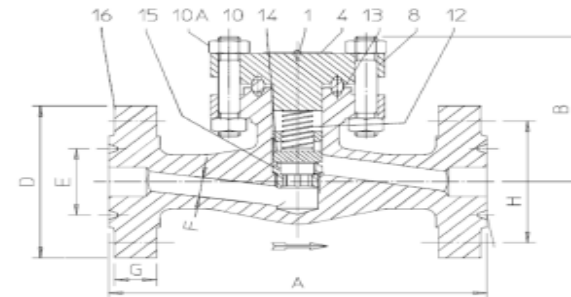


TYPE OF VALVES

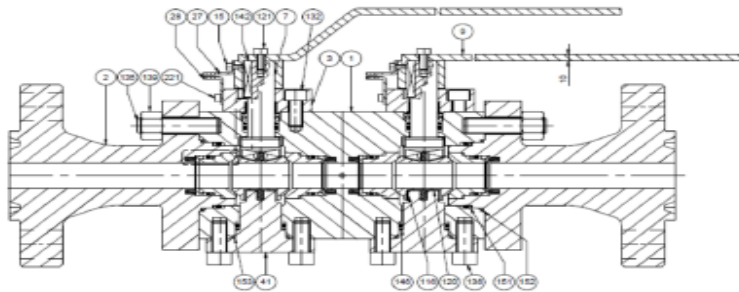
Check – Dual Plate



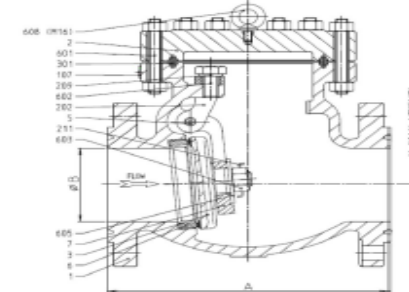
Check - Piston



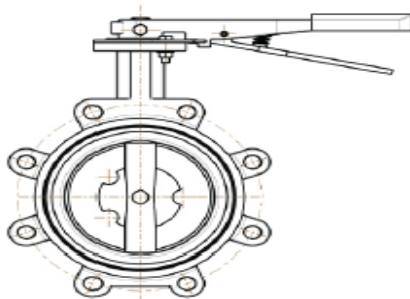
Double Block and Bleed



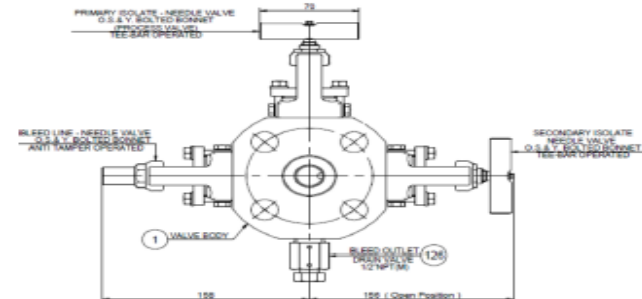
Check – Swing



Butterfly



Monoflange (Slimline)



SPECIAL FORGED PRODUCTS



Australasian Fittings & Flanges together with our groups special manufacturing facility can address your requirements for Special Forged Products required to meet the most stringent client and international design and specification requirements. The engineering team have in-depth knowledge in regard of materials and products in their widest range of applications and the variety of demands in in the global oil and gas industry. You may therefore rely on their years of experience in the field of engineering and production of special piping and rotating components and assemblies designed to you the customers requirements.

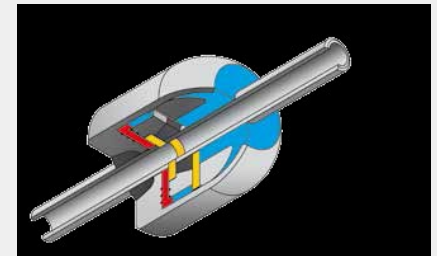
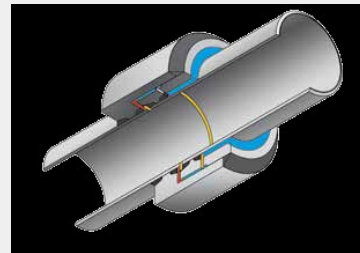
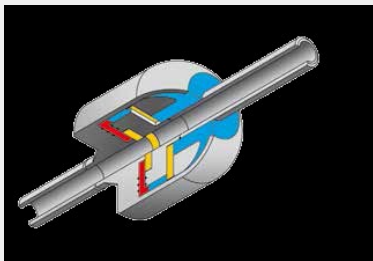
The product portfolio is a particularly wide range of forged products for offshore, onshore and subsea applications.

SUBSEA	Field Development	Wye Tees Bulk Heads Anchoring Flanges Reducers	OFF-SHORE	Forged Components	Rings, Pinions, Bars, ...
	PLEM/PLET	"Forged Rings" Ball Mis-alignment Flanges Connection Pieces		Assembled Components	Swivel Stacks Utility Swivels Chain Stoppers
	Riser Systems	Hanger Spool Coiled Tubing Riser Connectors Tapered Joints Goosenecks Forgings Forged Pipes Pad Eye	ON-SHORE	Special Components	Forged Pipes Monoblock Insulating Joints
	Pipeline Installation	J-Lay Collars Buckle Arrestors CHOCs Centralizers			ROLLED RINGS

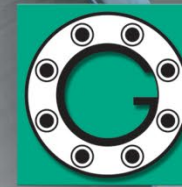
MONOLITHIC INSULATION JOINTS

Monolithic insulating joints in sizes up to 56" with pressure ratings can be supplied by **Australasian Fittings & Flanges** meeting your requirements to electrically isolate sections of a pipeline to ensure full efficiency to cathodic protection systems against corrosion. Designed, manufactured and tested in full compliance with the most stringent international Standards and Clients' own individual requirements.

In general, each monolithic isolation joint will be a unique, fit for purpose, produced piece of high-quality equipment.



SLEWING BEARINGS



AFF
AUSTRALASIAN FITTINGS & FLANGES

Australasian Fittings & Flanges can supply tailor-made Slewing Bearings.

Our groups manufacturing facility manufactures excellence in large diameter slew bearings, using state of the art development, design manufacturing, and testing methods that maximize the experience of our senior technicians. Their knowledge of calculation methods enhance CAD/CAM design tools and FEA analysis programs. A fully integrated server-based computerized system allows manufacturing control of all manufacturing phases, supply chain survey and project management.

Recognizing that every application requires a unique solution. These rings are available with ring gears on inner and outer diameter and also with a gearless option. Slewing bearings are manufactured in a wide variety of shapes and sizes, from 200 up to 5.500 mm and over.

Bearings of special design can be supplied upon request. The hole patterns for connecting the bearing to the supporting structures can be easily customised to meet individual requirements. These bearings are suitable for application in a wide range of products, including wind turbines, lifting and handling equipment and cranes. Under the G-Tech® label, we offer you a wide selection including 4- and 8-point contact ball bearings, cross roller bearings, ball bearings with L-shaped rings, 3-row roller bearings and ring accelerators.

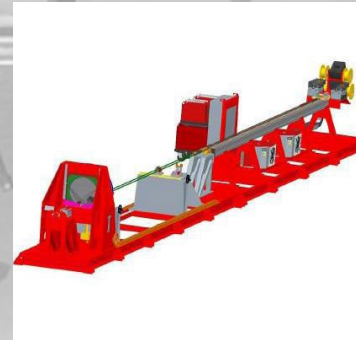


CLADDING

Australasian Fittings & Flanges can offer groups in-house cladding facility where your cladding needs on various products (Pipe, Flanges, Valves and Special Forged Products) in grades such as F309, F316, Inconel 625, Incoloy 825, Hastelloy C276 or any other material can be fulfilled.

A wide range of approved welding procedures and qualifications allows our groups manufacturing facility to generate project specific procedures to suit your requirements.

With the use of robotised welding equipment allows our group manufacturing facility the ability to apply cladding on any surface and/or slope. Using Vertical and Horizontal machines and jigs to suit all diameters.



AFF's - STOCKHOLDING



AFF's stockholding solution allows us to hold a large and diverse range of pipe, fittings, flanges and Stud bolts for prompt and reliable delivery into markets covering the onshore and offshore Oil and Gas facilities, Subsea Structures, Pipelines, Cryogenic Applications, Power and Desalination Industries to name a few.

In addition, AFF's partnership with globally approved manufacturers and stockists with high integrity and uncompromising quality enables fast access to premium quality stock, and additional or replacement items with guaranteed deliveries at highly competitive prices. We tender for all our stock orders, choosing the best prices that reflect product quality, volume and availability. AFF can supply the correct product for each application – regardless whether it involves a large-scale maintenance project or a one-off requirement, AFF has the right solution for your application.

AFF is established as the foremost supplier of piping materials, servicing fast track maintenance and project procurement.



AFF – Your Pipe, Valve and Fitting Partner

AFF's STOCKHOLDING STRENGTHS



- ❑ Large stocks are maintained of pipes, butt weld fittings, forged steel fittings and flanges in Carbon Steel, Low Temperature Carbon Steel, Stainless Steel 304/30L & 316/316L, Duplex, Super Duplex.
- ❑ Numerous Gaskets and Stud Bolts also available in stock
- ❑ AFF's Super Duplex Stud Bolt stock is probably the most comprehensive in Australia.
- ❑ All goods are sourced from internationally recognised and accredited manufacturers and are fully compliant with the industries' stringent quality requirements.
- ❑ All material is sourced from ISO 9001 certified manufacturers and certified in accordance with EN 10204, Type 3.1.; Type 3.2. available on request.
- ❑ We offer a one stop solution for all types of Piping Components.
- ❑ Providing a prompt and reliable delivery
- ❑ High Quality and good customer service are our top priorities. Full Traceability of material up to the raw material.
- ❑ Proven track record, supplied packages for many end users such as Chevron, Woodside, Santos, Inpex, Shell, Esso and ConocoPhillips etc.
- ❑ Trusted throughout Australia for supplying quality products.
- ❑ Thorough review of client requirements and specifications to ensure the products supplied are fully compliant.
- ❑ Fast and accurate rapid response to your needs, wherever you are in the world, regardless of how remote or distant and no matter how exacting your requirements.
- ❑ Right advice to ensure correct installation, maintenance, and ongoing functionality.



AFF – Your Pipe, Valve and Fitting Partner

FLANGE AND VALVE FACE PROTECTORS - STOCKS



AFF has a distribution agreement with Distixx® Vulnerable Surface Protection Products which offer a balanced combination of high-quality NBR based rubber and a specially developed adhesive that when removed leaves no residue on the surface of the product being protected.

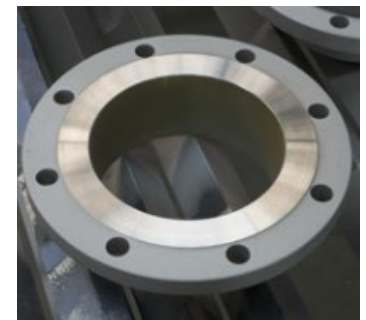
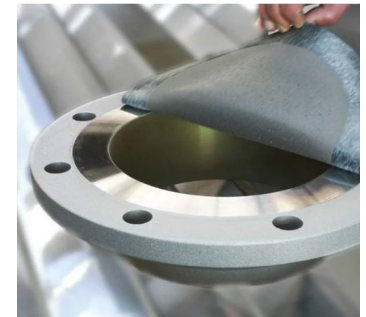
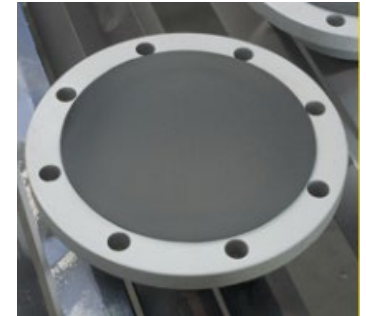
The range includes flange faces on Flanges, Valves, Spooled Pipework and Pumps that require protection during blasting, painting, storage and transportation.

Key Benefits

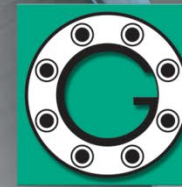
- Self-adhesive: offering 100% protection to flange facings.
- Structural integrity: no deforming, loosening or detaching flange protectors.
- Convenient: fast and easy to apply, leaving no glue residue.
- Resistant: oil and chloride free, and weather-resistant.

Characteristics

- Self-adhesive NBR rubber (1,5mm)
- Available in all sizes and shapes ½" (Ø 36mm) – 30" (Ø 860mm)
- 100% protection during blasting painting, transportation and storage
- Protection against any substance and 'sand-blasting proof'
- Withstands temperature ranges of -20°C to +60°C



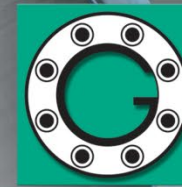
AFF STOCK PROGRAM



	Carbon Steel (Including Threaded & Galvanised Finish)	Low Temp Carbon Steel	High Yield Carbon Steel	Stainless Steel 304/304L	Stainless Steel 316/316L	Duplex	Super Duplex	Cu Ni	Titanium	Inconel 625 /825
Pipes										
Fittings										
Flanges										
Stud Bolts										
Mechanical Joints										
Seal Rings / Gaskets										
Branched Fittings / Nipo flanges										
Valves Gate/Ball/ Monoflange										
				Stocked Items =						
				On Request =						

AFF – Your Pipe, Valve and Fitting Partner

MATERIAL SUPPLY RANGE



AUSTRALASIAN FITTINGS & FLANGES

	Pipe	Fittings	Flanges
Size	1/2" to 60" NB (Larger Upon Request)	1/2" to 60" NB (Larger Upon Request)	1/2" to 60" NB (Larger Upon Request)
Thickness	All Standard Schedules Intermediate & Heavy Wall Also Available	All Standard Schedules Intermediate & Heavy Wall Also Available	All Standard Schedules Intermediate & Heavy Wall Also Available
Type	Seamless & Welded	Seamless & Welded 45° & 90° Long Radius Elbows, 90° Short Radius Elbows, Equal & Reducing Tees, Concentric & Eccentric Reducers, Caps	Weld Neck, Blind, Socket Weld, Threaded, Lap Joint, Slip On
Specials	Forged Heavy Walled, Cladded Pipe (Mechanical or Metallurgical Bonded)	Bends, Barred Tees, Sphere Tees, Laterals, Stub Ends	Anchor, Compact, Orifice, Bulkhead, Swivel Ring, Misalignment, Spectacle Blinds/ Spades/Spacers, Bleed/Drip Rings and Mechanical Joints
Rating			ANSI 150# to 2500# API 2,000 to 20,000 PSI
Dimensional Standard	ASME B36.10 ASME B36.19 API 5L/5LC (Linepipe)	ASME B16.9 MSS SP-75 ASME B16.49 (Induction Bends)	ASME B16.5 ASME B16.36 ASME B16.47 Series A & B API 6A (API Flanges) Norsok L005 (Compact Flanges) Gaskets & Bolts to Suit Are Also Available
Carbon and LTCS	ASTM A106B API 5LGr B ASTM A333 Gr 6 ASTM A333 Gr 3 ASTM A672 Gr C60-C70 ASTM A671 Gr CC60-CC70	ASTM A234 WPB ASTM A420 WPL6 ASTM A420 WPL3	ASTM A105N ASTM A350 LF2 ASTM A350 LF3 ASTM A350 LF6
High Yield	API 5L Grade X42-70	ASTM 860 WPHY42-70	ASTM A694 F42-70
Chromium Molybdenum	ASTM A335 Grades P1, P5, P9, P11, P12, P22, P91	ASTM A234 Grades WP1, WP5, WP9, WP11, WP12, WP22, WP91	ASTM A182 Grade F1, F5, F9, F11, F12, F22, F91
Austenitic Stainless Steel	ASTM A312/358 TP304, H & L ASTM A312/358 TP316, H & L ASTM A312/358 TP321, H ASTM A312/358 TP347, H ASTM A312/358 UNS S31254	ASTM A403 WP304, H & L ASTM A403 WP316, H & L ASTM A403 WP321, H ASTM A403 WP347, H ASTM A403 WPS 31254	ASTM A182 F304, H & L ASTM A182 F316, H & L ASTM A182 F321, H ASTM A182 F347, H ASTM A182 F44
Ferritic Austenitic Steel	ASTM A790 UNS S31803 & S32205 ASTM A790 UNS S32750 & S32760 ASTM A928 UNS S31803 & S32205 ASTM A928 UNS S32750 & S32760 ASTM A790 UNS S32550 ASTM A928 UNS S32550	ASTM A815 UNS S31803 & S32205 ASTM A815 UNS S32750 & S32760 ASTM A815 UNS S32550	ASTM A182 Grade F51 ASTM A182 Grade F60 ASTM A182 Grade F53 (UNS S32750) ASTM A182 Grade F55 (UNS S32760) ASTM A182 Grade F61 (UNS S32550)
Nickel Alloy	ASTM B444 UNS N06625 ASTM B705 UNS N06625 ASTM B424 UNS N08825 ASTM B705 UNS N08825	ASTM B366 UNS N06625 ASTM B366 UNS N08825	ASTM B564 UNS N06625 ASTM B564 UNS N08825
Titanium	ASTM B861 Grade 2, 5, 7, 12 ASTM B862 Grade 2, 5, 7, 12	ASTM B363 Grade WPT2, WPT5, WPT7, WPT12	ASTM B381 Grade F2, F5, F7, F12
Copper Nickel	ASTM B466 UNS C70600 ASTM B467 UNS C70600	EEMUA 234 UNS C70600 Publication 234 (Copper Nickel Alloy Piping)	EEMUA 234 UNS C70600 Publication 234 (Copper Nickel Alloy Piping)

AFF – Your Pipe, Valve and Fitting Partner

Health, safety and the environment are always at the forefront of everything we do. As is the quality of our products and services.

AFF is certified in accordance with the ISO 9001:2015 and we invest in the continuous improvement of our business.

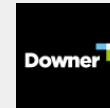
Our inhouse inspectors, and field inspectors, conduct all project inspection activities at the manufacturer's premises, which are documented and provided to clients or third parties, as required.

Today's non-material requirements are as important as the components itself. Our progress reports are set up to provide you with a detailed overview of the order and give status on materials and non-materials compared to the original planning. Areas of concern are highlighted and – when applicable – recovery actions are indicated.

A major aspect of our projects – and within our international playing field of crucial importance – is the presentation and management of documents. To control the flow of documents we have an adequate document control system which provides us with the exact status and outstanding actions required.



MAJOR CLIENT BASE

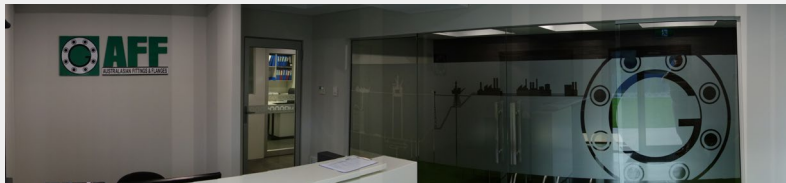


AFF – Your Pipe, Valve and Fitting Partner

OFFICES & FACILITIES



Australasian Fittings & Flanges office and warehouse facilities located in the Perth suburb of Canning Vale , Western Australia. The facility is a modern, clean and setup for the purposes of distribution of Pipe, Valves and Fittings (PVF) including associated products.



AFF – Your Pipe, Valve and Fitting Partner